

RM Series AC Servo Motor Selection Guide



A&TS TECHNOLOGY CORPORATION LIMITED

<https://www.a-ts.net>

DECLARATION

Without written permission, reprint or copy is strictly forbidden. Unauthorized copying, dissemination or use of this document and its contents is prohibited. Violators will be liable for compensation.

All rights, including the rights granted by patent rights and the registration rights of application models or designs will be reserved.

The information provided in this publication will be updated regularly, and any necessary corrections will be implemented in subsequent releases. Suggestions for improvement are welcome at any time.

| Version | Product | Release Date | Note |
|---------|----------|--------------|------|
| V-20-01 | RT Motor | 01.06.2020 | N/A |
| V-22-01 | RT Motor | 14.10.2022 | N/A |
| V-23-03 | RT Motor | 10.05.2023 | N/A |
| V-26-01 | RM Motor | 19.01.2026 | N/A |

Forward

The RT series AC servo system is provided by the A&TS Technology Corporation Limited in China.

To have a thorough understanding, please read this guide carefully and follow all safety precautions before moving, installing, operating and maintaining the servo. It doesn't include all the security matters or considerations.

Local laws and regulations

All the local laws, regulations, and codes of practice should be obeyed first, besides the instructions in the guide.

Disclaimer of liability

We have reviewed the contents of this publication to ensure consistency with the hardware and software described. Since variance cannot be precluded entirely, we cannot guarantee full consistency. However, the information in this publication is reviewed regularly and any necessary corrections are included in subsequent editions.

Thank you for choosing A&TS.

A&TS, automation technologies, at your services.

Safety Precautions

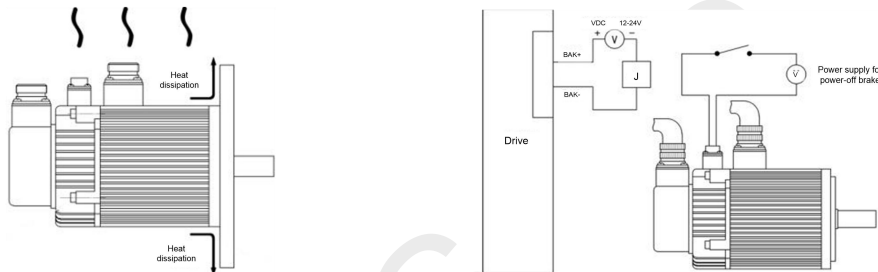
General precautions

When installing, operating, and maintaining the RT series ac servo, please follow all the safety instructions in this guide and the RT Series AC Servo Drive User Manual both, especially where there is safety symbols. All the safety symbols are the tips to the safety precautions. It doesn't include all the security matters or considerations.

Basic installation requirement

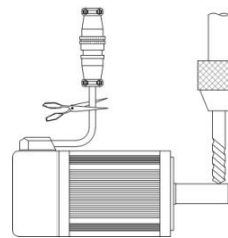
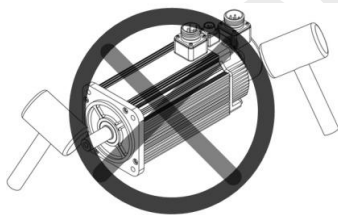
- Only qualified or strictly trained engineers are allowed to install, operate and maintain equipment.
- Only qualified professionals are allowed to dismantle devices and repair equipment.
- Replacing or changing hardware & software must be carried out by the authorized engineers.
- The operator shall report the failure or error to the person in charge in time promptly.

INSTALLATION ATTENTIONS



The servo motor adopts natural self-cooling heat dissipation. Please select a large enough mounting board when installing. The servo motor works for a long time, and the body itself will have a certain temperature, which is normal.

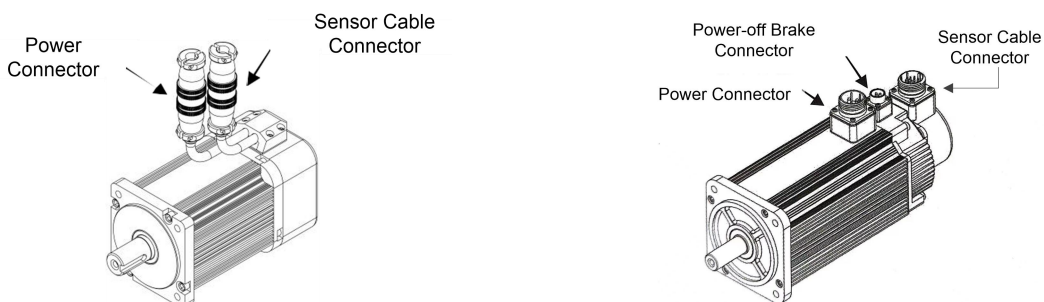
For a servo motor with a power-off brake, the power supply of the brake must be controlled by the servo drive. Otherwise it will cause a poor working state.



The servo motor is equipped with precise feedback components. It is strictly forbidden to vigorously hit the motor shaft extension and rear. Please pay attention to the maximum diameter and axial force limits of the motor shaft extension.

It is strictly prohibited to modify, disassemble and process motor parts arbitrarily. Please send us your needs and we will be at your service.

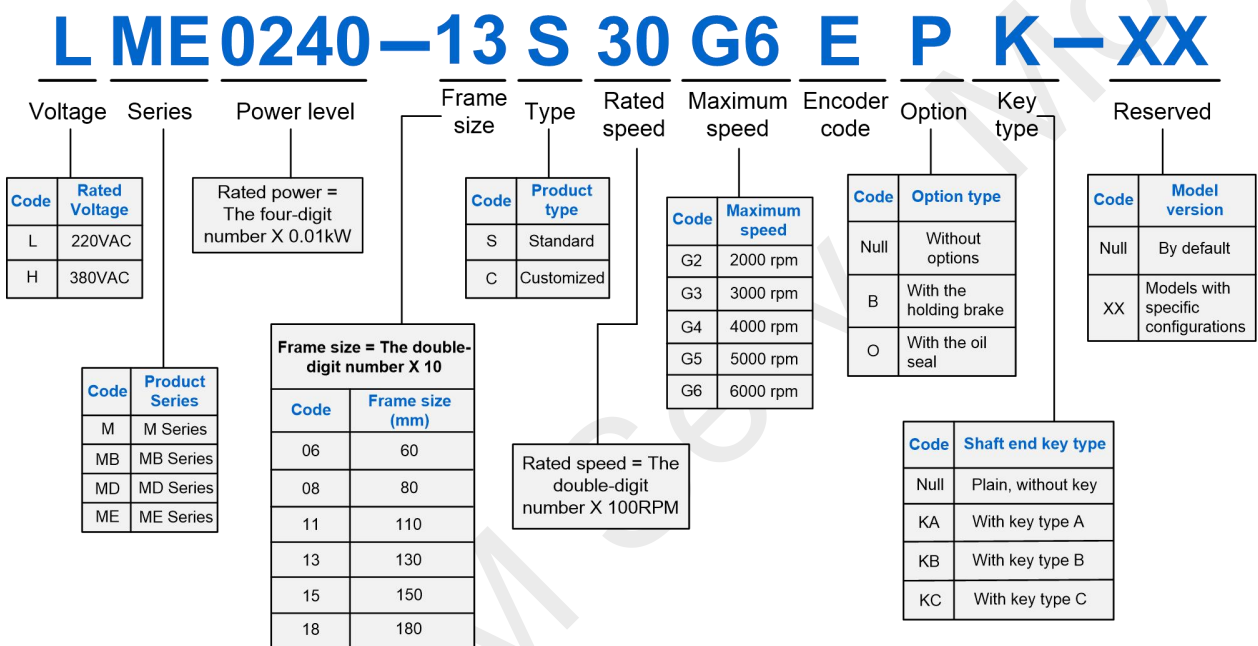
MOTOR CONNECTOR



Encoder Code

- I, INCREMENTAL ENCODER (2500C/T) I1, ABZ INCREMENTAL ENCODER (2500C/T)
- I2, INCREMENTAL ENCODER (5000C/T)
- A, TAMAGAWA ABSOLUTE ENCODER (17bit/33bit)
- A1, TAMAGAWA ABSOLUTE ENCODER (23bit/39bit)
- M, MAGNETIC ENCODER

RM series Servo Motor Order Number



LM Series Servo Motor

FEATURES

| ITEM | DESCRIPTION |
|-------------------------|------------------------|
| FRAME SIZE (mm) | 110, 130, 150 |
| RATED SPEED (rpm) | 1500, 2000, 2500, 3000 |
| POWER OFF BRAKE | Optional |
| INSULATION GRADE | B |
| INSTALLATION METHOD | FLANGE |
| ENVIRONMENT TEMPERATURE | 0-55°C |
| RATED TORQUE (Nm) | 2.0-27.0 |
| RATED POWER (kW) | 0.6-5.5 |

| | |
|-----------------------------|-------------------------|
| POLE PAIRS | 4 |
| PROTECTION CLASS | IP65 |
| DRIVE WORKING VOLTAGE (VAC) | 220 |
| ENVIRONMENT HUMIDITY | < 90% (No condensation) |

LM Series Motor List

| MOTOR MODEL | TECHNICAL SPECIFICATIONS | | | |
|---------------|--------------------------|-------------|---------------|--------------|
| | RATED POWER | RATED SPEED | RATED CURRENT | RATED TORQUE |
| LM0060-11S30□ | 0.6 kW | 3000 rpm | 4.0 A | 2.0 Nm |
| LM0120-11S30□ | 1.2 kW | 3000 rpm | 5.0 A | 4.0 Nm |
| LM0150-11S30□ | 1.5 kW | 3000 rpm | 6.0 A | 5.0 Nm |
| LM0120-11S20□ | 1.2 kW | 2000 rpm | 6.0 A | 6.0 Nm |
| LM0180-11S30□ | 1.8 kW | 3000 rpm | 8.0 A | 6.0 Nm |
| LM0100-13S25□ | 1.0 kW | 2500 rpm | 4.0 A | 4.0 Nm |
| LM0130-13S25□ | 1.3 kW | 2500 rpm | 5.0 A | 5.0 Nm |
| LM0150-13S25□ | 1.5 kW | 2500 rpm | 6.0 A | 6.0 Nm |
| LM0160-13S20□ | 1.6 kW | 2000 rpm | 6.0 A | 7.7 Nm |
| LM0200-13S25□ | 2.0 kW | 2500 rpm | 7.5 A | 7.7 Nm |
| LM0240-13S30□ | 2.4 kW | 3000 rpm | 9.0 A | 7.7 Nm |
| LM0150-13S15□ | 1.5 kW | 1500 rpm | 6.0 A | 10.0 Nm |
| LM0260-13S25□ | 2.6 kW | 2500 rpm | 10.0 A | 10.0 Nm |
| LM0230-13S15□ | 2.3 kW | 1500 rpm | 9.5 A | 15.0 Nm |
| LM0380-13S25□ | 3.8 kW | 2500 rpm | 17.0 A | 15.0 Nm |
| LM0390-15S25□ | 3.9 kW | 2500 rpm | 16.5 A | 15.0 Nm |
| LM0360-15S20□ | 3.6 kW | 2000 rpm | 16.5 A | 18.0 Nm |
| LM0470-15S20□ | 4.7 kW | 2000 rpm | 20.5 A | 23.0 Nm |
| LM0550-15S20□ | 5.5 kW | 2000 rpm | 20.5 A | 27.0 Nm |

□ Encoder code

LMD Series Servo Motor

FEATURES

| ITEM | DESCRIPTION |
|-----------------------------|-------------------------|
| FRAME SIZE (mm) | 110, 130 |
| RATED SPEED (rpm) | 1500, 2000, 2500, 3000 |
| POWER OFF BRAKE | Optional |
| INSULATION GRADE | F |
| INSTALLATION METHOD | FLANGE |
| ENVIRONMENT TEMPERATURE | 0-55°C |
| RATED TORQUE (Nm) | 4.2-17.8 |
| MAXIMUM SPEED (rpm) | 2000, 3000, 4000 |
| RATED POWER (kW) | 0.65-3.1 |
| POLE PAIRS | 5 |
| PROTECTION CLASS | IP67 |
| DRIVE WORKING VOLTAGE (VAC) | 220 |
| ENVIRONMENT HUMIDITY | < 90% (No condensation) |

LMD Series Motor List

| MOTOR MODEL | TECHNICAL SPECIFICATIONS | | | | |
|------------------|--------------------------|-------------|-----------|---------------|--------------|
| | RATED POWER | RATED SPEED | MAX SPEED | RATED CURRENT | RATED TORQUE |
| LMD0088-11S20G3□ | 0.88 kW | 2000 rpm | 3000 rpm | 4.7 A | 4.2 Nm |
| LMD0130-11S30G4□ | 1.3 kW | 3000 rpm | 4000 rpm | 7.1 A | 4.2 Nm |
| LMD0110-11S20G3□ | 1.1 kW | 2000 rpm | 3000 rpm | 6.0 A | 5.4 Nm |
| LMD0170-11S30G4□ | 1.7 kW | 3000 rpm | 4000 rpm | 9.0 A | 5.4 Nm |
| LMD0130-11S20G3□ | 1.3 kW | 2000 rpm | 3000 rpm | 7.0 A | 6.4 Nm |
| LMD0170-11S25G4□ | 1.7 kW | 2500 rpm | 4000 rpm | 9.5 A | 6.4 Nm |
| LMD0200-11S30G4□ | 2.0 kW | 3000 rpm | 4000 rpm | 10.5 A | 6.4 Nm |
| LMD0160-11S20G3□ | 1.6 kW | 2000 rpm | 3000 rpm | 9.0 A | 7.5 Nm |
| LMD0230-11S30G4□ | 2.3 kW | 3000 rpm | 4000 rpm | 11.0 A | 7.5 Nm |
| LMD0066-13S15G3□ | 0.66 kW | 1500 rpm | 3000 rpm | 5.2 A | 4.2 Nm |

| | | | | | |
|------------------|---------|----------|----------|--------|---------|
| LMD0130-13S30G4□ | 1.3 kW | 3000 rpm | 4000 rpm | 7.0 A | 4.2 Nm |
| LMD0085-13S15G3□ | 0.85 kW | 1500 rpm | 3000 rpm | 6.5 A | 5.4 Nm |
| LMD0170-13S30G4□ | 1.7 kW | 3000 rpm | 4000 rpm | 9.5 A | 5.4 Nm |
| LMD0100-13S15G3□ | 1.0 kW | 1500 rpm | 3000 rpm | 8.0 A | 6.4 Nm |
| LMD0200-13S30G4□ | 2.0 kW | 3000 rpm | 4000 rpm | 11.5 A | 6.4 Nm |
| LMD0120-13S15G3□ | 1.2 kW | 1500 rpm | 3000 rpm | 9.0 A | 7.5 Nm |
| LMD0240-13S30G4□ | 2.4 kW | 3000 rpm | 4000 rpm | 12.0 A | 7.5 Nm |
| LMD0130-13S15G3□ | 1.3 kW | 1500 rpm | 3000 rpm | 9.5 A | 8.4 Nm |
| LMD0260-13S30G4□ | 2.6 kW | 3000 rpm | 4000 rpm | 13.5 A | 8.4 Nm |
| LMD0150-13S15G3□ | 1.5 kW | 1500 rpm | 3000 rpm | 11.0 A | 9.6 Nm |
| LMD0250-13S25G4□ | 2.5 kW | 2500 rpm | 4000 rpm | 16.0 A | 9.6 Nm |
| LMD0180-13S15G3□ | 1.8 kW | 1500 rpm | 3000 rpm | 12.5 A | 11.5 Nm |
| LMD0240-13S20G4□ | 2.4 kW | 2000 rpm | 4000 rpm | 17.8 A | 11.5 Nm |
| LMD0230-13S15G2□ | 2.3 kW | 1500 rpm | 2000 rpm | 11.0 A | 14.6 Nm |
| LMD0230-13S15G3□ | 2.3 kW | 1500 rpm | 3000 rpm | 16.0 A | 14.6 Nm |
| LMD0310-13S20G4□ | 3.1 kW | 2000 rpm | 4000 rpm | 23.0 A | 14.6 Nm |
| LMD0280-13S15G2□ | 2.8 kW | 1500 rpm | 2000 rpm | 19.0 A | 17.8 Nm |

□ Encoder code

LME Series Servo Motor

FEATURES

| ITEM | DESCRIPTION |
|-------------------------|-------------|
| FRAME SIZE (mm) | 60, 80 |
| RATED SPEED (rpm) | 3000 |
| POWER OFF BRAKE | Optional |
| INSULATION GRADE | F |
| INSTALLATION METHOD | FLANGE |
| ENVIRONMENT TEMPERATURE | 0-55°C |
| RATED TORQUE (Nm) | 0.32-4.0 |

| | |
|-----------------------------|-------------------------|
| MAXIMUM SPEED (rpm) | 6000 |
| RATED POWER (kW) | 0.1-1.3 |
| POLE PAIRS | 5 |
| PROTECTION CLASS | IP67 |
| DRIVE WORKING VOLTAGE (VAC) | 220 |
| ENVIRONMENT HUMIDITY | < 90% (No condensation) |

LME Series Motor List

| MOTOR MODEL | TECHNICAL SPECIFICATIONS | | | | |
|------------------|--------------------------|-------------|-----------|---------------|--------------|
| | RATED POWER | RATED SPEED | MAX SPEED | RATED CURRENT | RATED TORQUE |
| LME0010-06S30G6□ | 0.1 kW | 3000 rpm | 6000 rpm | 0.8 A | 0.32 Nm |
| LME0020-06S30G6□ | 0.2 kW | 3000 rpm | 6000 rpm | 1.3 A | 0.64 Nm |
| LME0040-06S30G6□ | 0.4 kW | 3000 rpm | 6000 rpm | 2.3 A | 1.27 Nm |
| LME0055-06S30G6□ | 0.55 kW | 3000 rpm | 6000 rpm | 3.9 A | 1.75 Nm |
| LME0040-08S30G6□ | 0.4 kW | 3000 rpm | 6000 rpm | 2.5 A | 1.3 Nm |
| LME0075-08S30G6□ | 0.75 kW | 3000 rpm | 6000 rpm | 4.5 A | 2.4 Nm |
| LME0100-08S30G6□ | 1.0 kW | 3000 rpm | 6000 rpm | 6.0 A | 3.3 Nm |
| LME0130-08S30G6□ | 1.3 kW | 3000 rpm | 6000 rpm | 7.3 A | 4.0 Nm |

□ Encoder code

HM Series Servo Motor

FEATURES

| ITEM | DESCRIPTION |
|-------------------------|------------------------|
| FRAME SIZE (mm) | 110, 130, 150 |
| RATED SPEED (rpm) | 1500, 2000, 2500, 3000 |
| POWER OFF BRAKE | Optional |
| INSULATION GRADE | B |
| INSTALLATION METHOD | FLANGE |
| ENVIRONMENT TEMPERATURE | 0-55°C |

| | |
|-----------------------------|-------------------------|
| RATED TORQUE (Nm) | 2.0-27.0 |
| RATED POWER (kW) | 0.6-5.5 |
| POLE PAIRS | 4 |
| PROTECTION CLASS | IP65 |
| DRIVE WORKING VOLTAGE (VAC) | 380 |
| ENVIRONMENT HUMIDITY | < 90% (No condensation) |

HM Series Motor List

| MOTOR MODEL | TECHNICAL SPECIFICATIONS | | | |
|---------------|--------------------------|-------------|---------------|--------------|
| | RATED POWER | RATED SPEED | RATED CURRENT | RATED TORQUE |
| HM0060-11S30□ | 0.6 kW | 3000 rpm | 3.0 A | 2.0 Nm |
| HM0120-11S30□ | 1.2 kW | 3000 rpm | 4.0 A | 4.0 Nm |
| HM0150-11S30□ | 1.5 kW | 3000 rpm | 4.5 A | 5.0 Nm |
| HM0120-11S20□ | 1.2 kW | 2000 rpm | 3.5 A | 6.0 Nm |
| HM0160-11S30□ | 1.6 kW | 3000 rpm | 5.0 A | 6.0 Nm |
| HM0100-13S25□ | 1.0 kW | 2500 rpm | 3.0 A | 4.0 Nm |
| HM0100-13S20□ | 1.0 kW | 2000 rpm | 3.0 A | 5.0 Nm |
| HM0130-13S25□ | 1.3 kW | 2500 rpm | 3.5 A | 5.0 Nm |
| HM0150-13S25□ | 1.5 kW | 2500 rpm | 4.5 A | 6.0 Nm |
| HM0160-13S20□ | 1.6 kW | 2000 rpm | 4.0 A | 7.7 Nm |
| HM0200-13S25□ | 2.0 kW | 2500 rpm | 5.5 A | 7.7 Nm |
| HM0240-13S30□ | 2.4 kW | 3000 rpm | 6.5 A | 7.7 Nm |
| HM0150-13S15□ | 1.5 kW | 1500 rpm | 4.5 A | 10.0 Nm |
| HM0260-13S25□ | 2.6 kW | 2500 rpm | 7.0 A | 10.0 Nm |
| HM0230-13S15□ | 2.3 kW | 1500 rpm | 7.0 A | 15.0 Nm |
| HM0380-13S25□ | 3.8 kW | 2500 rpm | 11.5 A | 15.0 Nm |
| HM0380-15S25□ | 3.8 kW | 2500 rpm | 10.0 A | 15.0 Nm |
| HM0360-15S20□ | 3.6 kW | 2000 rpm | 10.5 A | 18.0 Nm |
| HM0470-15S20□ | 4.7 kW | 2000 rpm | 13.5 A | 23.0 Nm |
| HM0550-15S20□ | 5.5 kW | 2000 rpm | 13.5 A | 27.0 Nm |

□ Encoder code

HMB Series Servo Motor

FEATURES

| ITEM | DESCRIPTION |
|-----------------------------|-------------------------|
| FRAME SIZE (mm) | 150 |
| RATED SPEED (rpm) | 1500, 2000 |
| POWER OFF BRAKE | Optional |
| INSULATION GRADE | B |
| INSTALLATION METHOD | FLANGE |
| ENVIRONMENT TEMPERATURE | 0-55°C |
| RATED TORQUE (Nm) | 14.3-28.7 |
| MAXIMUM SPEED (rpm) | 3000 |
| RATED POWER (kW) | 2.3-5.5 |
| POLE PAIRS | 4 |
| PROTECTION CLASS | IP65 |
| DRIVE WORKING VOLTAGE (VAC) | 380 |
| ENVIRONMENT HUMIDITY | < 90% (No condensation) |

HMB Series Motor List

| MOTOR MODEL | TECHNICAL SPECIFICATIONS | | | | |
|------------------|--------------------------|-------------|-----------|---------------|--------------|
| | RATED POWER | RATED SPEED | MAX SPEED | RATED CURRENT | RATED TORQUE |
| HMB0230-15S15G3□ | 2.3 kW | 1500 rpm | 3000 rpm | 9.0 A | 14.6 Nm |
| HMB0300-15S15G3□ | 3.0 kW | 1500 rpm | 3000 rpm | 12.0 A | 19.1 Nm |
| HMB0350-15S15G3□ | 3.5 kW | 1500 rpm | 3000 rpm | 13.0 A | 22.3 Nm |
| HMB0450-15S15G3□ | 4.5 kW | 1500 rpm | 3000 rpm | 17.0 A | 28.7 Nm |
| HMB0300-15S20G3□ | 3.0 kW | 2000 rpm | 3000 rpm | 9.0 A | 14.3 Nm |
| HMB0500-15S20G3□ | 5.0 kW | 2000 rpm | 3000 rpm | 14.0 A | 23.9 Nm |
| HMB0550-15S20G3□ | 5.5 kW | 2000 rpm | 3000 rpm | 15.5 A | 26.3 Nm |

□ Encoder code

HMD Series Servo Motor

FEATURES

| ITEM | DESCRIPTION |
|-----------------------------|-------------------------|
| FRAME SIZE (mm) | 110, 130, 180 |
| RATED SPEED (rpm) | 1500, 2000, 3000 |
| POWER OFF BRAKE | Optional |
| INSULATION GRADE | F |
| INSTALLATION METHOD | FLANGE |
| ENVIRONMENT TEMPERATURE | 0-55°C |
| RATED TORQUE (Nm) | 4.2-55.0 |
| MAXIMUM SPEED (rpm) | 2000, 3000, 4000, 6000 |
| RATED POWER (kW) | 0.65-8.6 |
| POLE PAIRS | 5 |
| PROTECTION CLASS | IP67 |
| DRIVE WORKING VOLTAGE (VAC) | 380 |
| ENVIRONMENT HUMIDITY | < 90% (No condensation) |

HMD SERIES MOTOR LIST

| MOTOR MODEL | TECHNICAL SPECIFICATIONS | | | | |
|------------------|--------------------------|-------------|-----------|---------------|--------------|
| | RATED POWER | RATED SPEED | MAX SPEED | RATED CURRENT | RATED TORQUE |
| HMD0088-11S20G3□ | 0.88 kW | 2000 rpm | 3000 rpm | 2.8 A | 4.2 Nm |
| HMD0130-11S30G4□ | 1.3 kW | 3000 rpm | 4000 rpm | 4.1 A | 4.2 Nm |
| HMD0110-11S20G3□ | 1.1 kW | 2000 rpm | 3000 rpm | 3.5 A | 5.4 Nm |
| HMD0170-11S30G4□ | 1.7 kW | 3000 rpm | 4000 rpm | 5.0 A | 5.4 Nm |
| HMD0130-11S20G3□ | 1.3 kW | 2000 rpm | 3000 rpm | 4.5 A | 6.4 Nm |
| HMD0200-11S20G4□ | 2.0 kW | 2000 rpm | 4000 rpm | 5.7 A | 6.4 Nm |
| HMD0200-11S30G4□ | 2.0 kW | 3000 rpm | 4000 rpm | 6.0 A | 6.4 Nm |
| HMD0160-11S20G3□ | 1.6 kW | 2000 rpm | 3000 rpm | 5.0 A | 7.5 Nm |
| HMD0230-11S30G4□ | 2.3 kW | 3000 rpm | 4000 rpm | 6.5 A | 7.5 Nm |
| HMD0066-13S15G3□ | 0.66 kW | 1500 rpm | 3000 rpm | 3.1 A | 4.2 Nm |
| HMD0088-13S20G4□ | 0.88 kW | 2000 rpm | 4000 rpm | 3.9 A | 4.2 Nm |

| | | | | | |
|------------------|---------|----------|----------|--------|---------|
| HMD0130-13S30G4□ | 1.3 kW | 3000 rpm | 4000 rpm | 3.5 A | 4.2 Nm |
| HMD0085-13S15G3□ | 0.85 kW | 1500 rpm | 3000 rpm | 3.6 A | 5.4 Nm |
| HMD0170-13S30G4□ | 1.7 kW | 3000 rpm | 4000 rpm | 5.0 A | 5.4 Nm |
| HMD0110-13S20G4□ | 1.1 kW | 2000 rpm | 4000 rpm | 5.0 A | 5.4 Nm |
| HMD0100-13S15G3□ | 1.0 kW | 1500 rpm | 3000 rpm | 4.2 A | 6.4 Nm |
| HMD0200-13S30G4□ | 2.0 kW | 3000 rpm | 4000 rpm | 5.8 A | 6.4 Nm |
| HMD0130-13S20G4□ | 1.3 kW | 2000 rpm | 4000 rpm | 5.5 A | 6.4 Nm |
| HMD0120-13S15G3□ | 1.2 kW | 1500 rpm | 3000 rpm | 4.8 A | 7.5 Nm |
| HMD0240-13S30G4□ | 2.4 kW | 3000 rpm | 4000 rpm | 6.6 A | 7.5 Nm |
| HMD0160-13S20G4□ | 1.6 kW | 2000 rpm | 4000 rpm | 6.2 A | 7.5 Nm |
| HMD0130-13S15G3□ | 1.3 kW | 1500 rpm | 3000 rpm | 5.8 A | 8.4 Nm |
| HMD0180-13S20G4□ | 1.8 kW | 2000 rpm | 4000 rpm | 6.8 A | 8.4 Nm |
| HMD0150-13S15G3□ | 1.5 kW | 1500 rpm | 3000 rpm | 6.5 A | 9.6 Nm |
| HMD0200-13S20G4□ | 2.0 kW | 2000 rpm | 4000 rpm | 8.0 A | 9.6 Nm |
| HMD0180-13S15G3□ | 1.8 kW | 1500 rpm | 3000 rpm | 8.0 A | 11.5 Nm |
| HMD0240-13S20G4□ | 2.4 kW | 2000 rpm | 4000 rpm | 9.5 A | 11.5 Nm |
| HMD0230-13S15G3□ | 2.3 kW | 1500 rpm | 3000 rpm | 9.0 A | 14.6 Nm |
| HMD0310-13S20G4□ | 3.1 kW | 2000 rpm | 4000 rpm | 13.2 A | 14.6 Nm |
| HMD0280-13S15G2□ | 2.8 kW | 1500 rpm | 2000 rpm | 8.0 A | 17.8 Nm |
| HMD0300-13S30G6□ | 3.0 kW | 3000 rpm | 6000 rpm | 10.0 A | 9.8 Nm |
| HMD0400-13S30G6□ | 4.0 kW | 3000 rpm | 6000 rpm | 13.0 A | 12.6 Nm |
| HMD0500-13S30G6□ | 5.0 kW | 3000 rpm | 6000 rpm | 16.0 A | 15.8 Nm |
| HMD0290-18S15G3□ | 2.9 kW | 1500 rpm | 3000 rpm | 11.0 A | 18.6 Nm |
| HMD0370-18S20G4□ | 3.7 kW | 2000 rpm | 4000 rpm | 14.2 A | 18.6 Nm |
| HMD0360-18S15G3□ | 3.6 kW | 1500 rpm | 3000 rpm | 13.3 A | 23.0 Nm |
| HMD0480-18S20G4□ | 4.8 kW | 2000 rpm | 4000 rpm | 18.5 A | 23.0 Nm |
| HMD0440-18S15G3□ | 4.4 kW | 1500 rpm | 3000 rpm | 16.5 A | 28.0 Nm |
| HMD0590-18S20G4□ | 5.9 kW | 2000 rpm | 4000 rpm | 22.0 A | 28.0 Nm |
| HMD0550-18S15G3□ | 5.5 kW | 1500 rpm | 3000 rpm | 20.5 A | 35.0 Nm |
| HMD0730-18S20G4□ | 7.3 kW | 2000 rpm | 4000 rpm | 27.0 A | 35.0 Nm |
| HMD0750-18S15G3□ | 7.5 kW | 1500 rpm | 3000 rpm | 27.0 A | 48.0 Nm |
| HMD0860-18S15G3□ | 8.6 kW | 1500 rpm | 3000 rpm | 31.0 A | 55.0 Nm |

□ Encoder code

HME Series Servo Motor

FEATURES

| ITEM | DESCRIPTION |
|-----------------------------|-------------------------|
| FRAME SIZE (mm) | 80 |
| RATED SPEED (rpm) | 3000 |
| POWER OFF BRAKE | Optional |
| INSULATION GRADE | F |
| INSTALLATION METHOD | FLANGE |
| ENVIRONMENT TEMPERATURE | 0-55°C |
| RATED TORQUE (Nm) | 1.3-4.0 |
| MAXIMUM SPEED (rpm) | 6000 |
| RATED POWER (kW) | 0.4-1.3 |
| POLE PAIRS | 5 |
| PROTECTION CLASS | IP67 |
| DRIVE WORKING VOLTAGE (VAC) | 380 |
| ENVIRONMENT HUMIDITY | < 90% (No condensation) |

HME Series Motor List

| MOTOR MODEL | TECHNICAL SPECIFICATIONS | | | | |
|------------------|--------------------------|-------------|-----------|---------------|--------------|
| | RATED POWER | RATED SPEED | MAX SPEED | RATED CURRENT | RATED TORQUE |
| HME0040-08S30G6□ | 0.4 kW | 3000 rpm | 6000 rpm | 1.6 A | 1.3 Nm |
| HME0075-08S30G6□ | 0.75 kW | 3000 rpm | 6000 rpm | 2.7 A | 2.4 Nm |
| HME0100-08S30G6□ | 1.0 kW | 3000 rpm | 6000 rpm | 3.5 A | 3.33 Nm |
| HME0130-08S30G6□ | 1.3 kW | 3000 rpm | 6000 rpm | 4.4 A | 4.0 Nm |

□ Encoder code



A&TS Technology Corporation Limited

Address: Building A, 1970 Creative Industry Park, Ping'an road, Longhua District, Shenzhen, China 518110

Web: <https://www.a-ts.net>

Tel: +86-27-83520855 (7*24)

Mobile: +86-13322987810 (WhatsApp)

Email: contact@a-ts.net

For users or end customers, please contact your local supplier or A&TS company service directly.
The information in this publication is reviewed regularly and any necessary corrections are included in subsequent editions. The contents of this document are to be updated without notice.

© A&TS Technology Copyright. All rights reserved.

Published in Feb. 2026

Reprint or copy is strictly forbidden